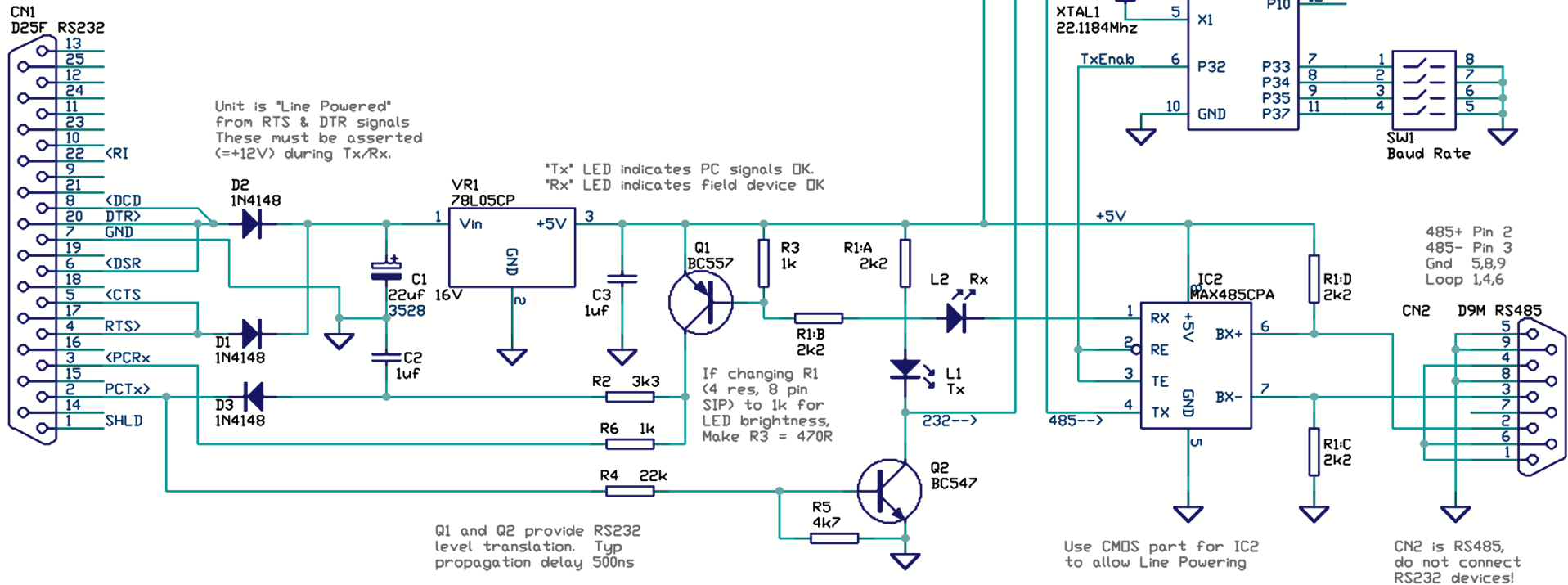


Baud rate selection with standard software
 1200 Baud: Dipswitch all off
 2400 Baud: Dipswitch 4 on, others off
 4800 Baud: Dipswitch 3 on, others off
 9600 Baud: Dipswitch 3&4 on, others off
 19200 Baud: Dipswitch 2 on, others off
 38400 Baud: Dipswitch 2 & 4 on, others off
 57600 Baud: Dipswitch 2&3 on, others off
 115.2kbaud: Dipswitch 2,3&4 on, with 1 off
www.airborn.com.au/layout/232to485.html



©2006
AirBorn
 ELECTRONICS


 PCB LAM#1.
 AB0603356

Title 232 to 485 Converter		
Size A4	Number AB0603356	Revision V3.00a
Date: 25 Jul 2006	Sheet 1 of 1	
File: Z:\asrc\RS485Hub\232to485	Drawn By: sm	

